



# BEAM CLAMPS

These units meet and exceed all the requirements within BS EN 13155:2003+A2:2009 and AS4991.

## Heavy Duty - BTBCF

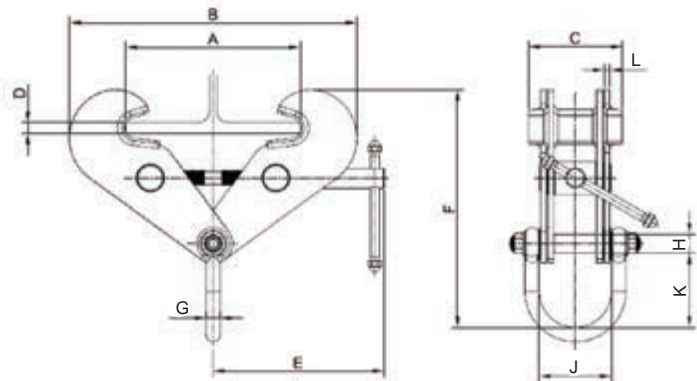


Heavy Duty Fixings & Marking

- Range from 3t to 5t
- Quick and versatile rigging point for hoisting equipment
- Shackle suspension point
- Suitable for pulling and lifting at angles across the beam
- Up to 90° side loading with no deration
- 15° cross loading with no deration
- Highly flexible - for lifting, pulling or as a semi-permanent anchor point
- Evenly distributed loads achieved through maximum jaw surface area
- Multidirectional adjusting screw spindle ensures a high clamping force to the various flange sizes within its capacity
- Beam width range 100mm to 350mm
- Operating temperature of -50°C to +50°C
- 4:1 factor of safety
- Optional locking device
- Complies with BS EN 13155:2003 + A2:2009 and AS4991

### Technical Specifications

Product Code	Capacity (ton)	A Track Width Range (mm)	Dimensions (mm)										Net Weight (kg)
			B	C	D	E	F	G	H	J	K	L	
BTBCF030	3.0	100-350	223-476	140	25	270	418-344	22	27	110	105	10	12.0
BTBCF050	5.0	100-310	223-438	140	25	286	424-368	27	27	124	111	12	14.5



## Adjustable Angle - BTBCA



- 1t and 3t capacities available
- Quick and versatile rigging point for hoisting equipment when attached to overhead steel angle section approved for lifting applications
- Shackle suspension point
- V shaped clamping jaws ensures safe and secure grip
- Designed to accommodate a wide range of steel angle sections
- No tools required -integrated adjusting screw spindle
- Operating temperature of -50°C to +50°C
- 4:1 factor of safety
- Complies with BS EN 13155:2003 + A2:2009 and AS4991

### Technical Specifications

Product Code	Capacity (ton)	K Track Width Range (mm)	Dimensions (mm)								Net Weight (kg)
			A	B	C	D	E	G	H	J	
BTBCA010	1.0	38-101	6	76	81	83	206	258	16	105	5.5
BTBCA030	3.0	101-203	10	106	112	104	343	490	22	111	23.5

