

ROLACRAWL®



PLAIN & GEARED CRAWLS

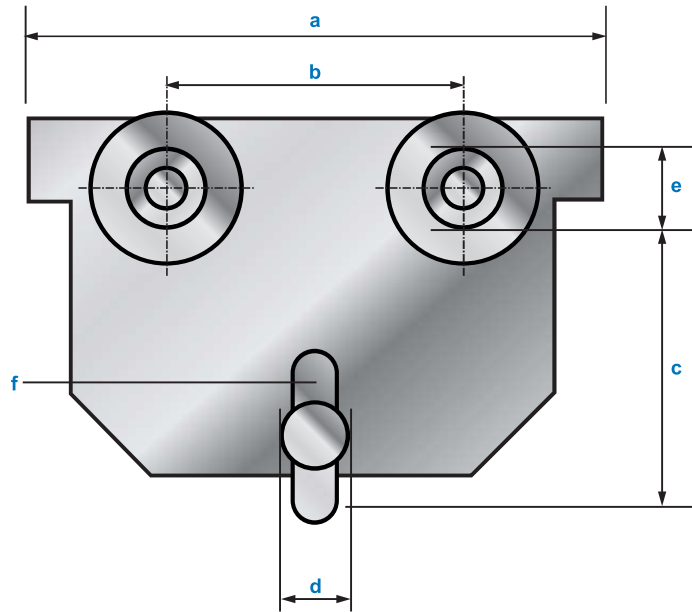
Rolacrawl Crawls are easily adjustable to suit a wide range of beam widths.



PLAIN

GEARED

Rolacrawl hoist crawls or trolleys are available in a push or hand geared versions. The hand chain fitted to the hand geared unit can be supplied to suit the drop required. The units can be precisely adjusted to suit the width of any I-beam or H-beam using the counter-threaded bolt which ensures that the load is centred, preventing sideward movement on the beam.



Approximate Dimensions		Capacity				
		1/2 Ton	1 Ton	2 Ton	3 Ton	5 Ton
Item code	Plain	CRRP005	CRRP010	CRRP020	CRRP030	CRRP050
	Geared*	N/A	CRRG010/3M	CRRG020/3M	CRRG030/3M	CRRG050/3M
a	Overall Length	198mm	245mm	277mm	330mm	380mm
b	Distance Between Axles (Centre to Centre)	100mm	120mm	130mm	160mm	170mm
c	Distance Between Beam Base & Hook Bearing Point	80mm	105mm	125mm	150mm	160mm
d	Shaft Diameter	24mm	30mm	36mm	41mm	47mm
e	Load Wheel Diameter (At Load Bearing Surface)	55mm	67mm	80mm	100mm	110mm
f	Internal Width & Height of Suspension Eye	24x30mm	30x35mm	40x47mm	44x57mm	50x64mm

* Geared Code for 3m Hand Chain

Approximate Dimensions		Capacity				
		1/2 Ton	1 Ton	2 Ton	3 Ton	5 Ton
Side Plate Thickness		6mm	8mm	10mm	12mm	16mm
Weight	Plain	5kg	9kg	14.5Kg	23.5kg	36.5kg
	Geared	N/A	10kg	15.5kg	25kg	38.5kg
To fit beam width - Minimum		50mm	58mm	66mm	74mm	90mm
To fit beam width - Maximum		220mm	220mm	220mm	220mm	220mm
Minimum Radius		1.3m	1.3m	1.5m	2.0m	2.5m

MAXICRAWL®



PLAIN & GEARED CRAWLS

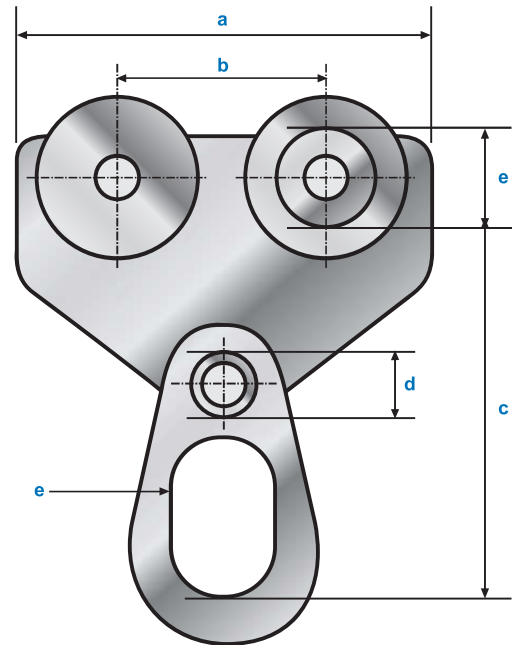
Crawls are easily adjustable to suit a wide range of beam widths & feature robust construction.



PLAIN

GEARED

Maxicrawl hoist crawls or trolleys are available in a push or hand geared versions. The hand chain fitted to the hand geared unit can be supplied to suit the height of lift required. The units can be adjusted to suit the width of any I-beam or H-beam. Extended shafts are available on request.



Dimensions		Capacity						
		1/2 Ton	1 Ton	2 Ton	3 Ton	5 Ton	10 Ton	20 Ton
Item Code	Plain	CRP005	CRP010	CRP020	CRP030	CRP050	CRP100	CRP200
	Geared	N/A	CRG010/3M	CRG020/3M	CRG030/3M	CRG050/3M	CRG100/3M	CRG200/3M
a	Overall Length	210mm	210mm	260mm	295mm	345mm	525mm	525mm
b	Distance Between Axles (Centre to Centre)	100mm	100mm	125mm	145mm	170mm	255mm	255mm
c	Distance Between Beam Base & Hook Bearing Point	145mm	145mm	135mm	170mm	195mm	210mm	250mm
d	Shaft Diameter	20mm	22mm	25mm	30mm	39mm	30mm	54mm
e	Load Wheel Diameter (At Load Bearing Surface)	54mm	54mm	80mm	105mm	115mm	200mm	200mm
f	Internal Width & Height of Suspension Eye	47mm	47mm	50mm	49x69mm	50x78mm	79x120mm	88x120mm

* Geared Code for 3m Hand Chain

Specifications		Capacity						
		1/2 Ton	1 Ton	2 Ton	3 Ton	5 Ton	10 Ton	20 Ton
Side Plate Thickness		8mm	10mm	10mm	12mm	16mm	20mm	30mm
Weight	Plain	8kg	9kg	15kg	25kg	40kg	139kg	N/A
	Geared	N/A	10kg	17kg	27.5kg	45kg	146kg	237kg
To Fit Beam Width	Minimum	76mm	76mm	92mm	92mm	125mm	138mm	145mm
	Maximum	138mm	138mm	152mm	152mm	191mm	230mm	305mm
Minimum Radius		1.3m	1.3m	1.5m	2.0m	2.5m	3.5m	3.5m